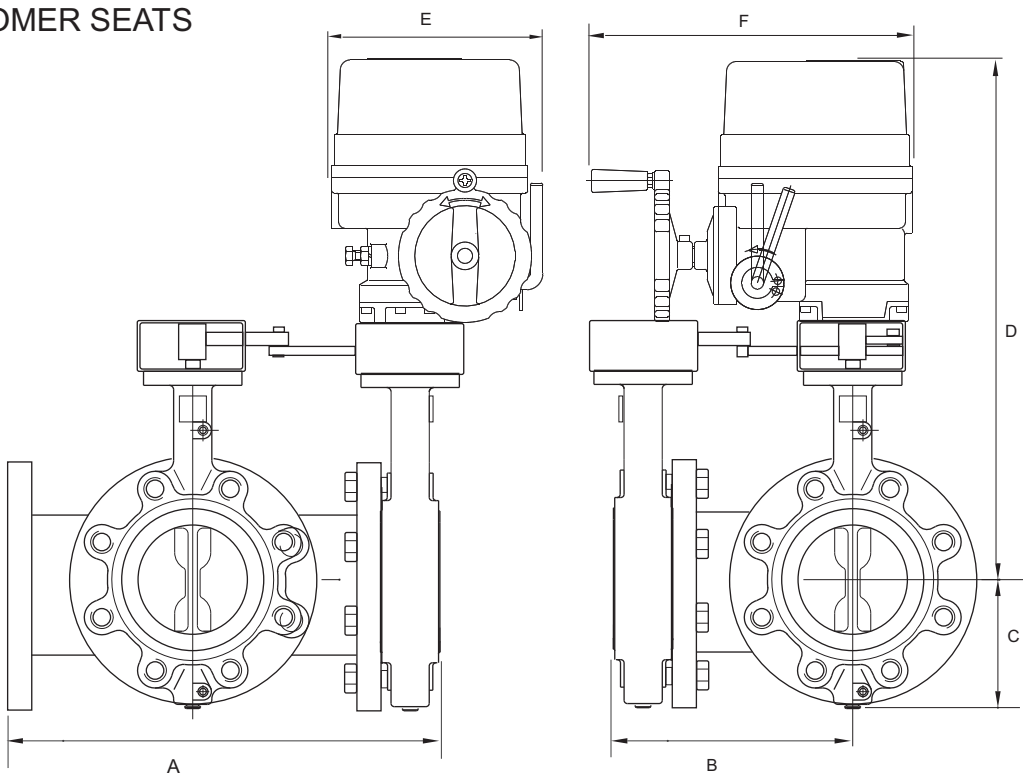




TRIAD VALVE AUTOMATION
 www.triadprocess.com
 email: sales@triadprocess.com
 248.685.9938

AUTOMATED VALVE ASSEMBLY
SERIES 700
ELECTRIC
THREE WAY
ELASTOMER SEATS



Electric Actuator, Elastomer Seats, Sized for 100 PSIG Line Pressure											
SIZE	A	B	C	D	E	F	ACTUATOR	90° SPEED (sec.)	Cv	Assembly #	
										EPDM	BUNA N
2"	11.75	6.75	3.15	18.00	6.75	10.06	EW-880	18	135	70300	70311
2 1/2"	12.87	7.37	3.50	18.55	6.75	10.06	EW-880	18	220	70301	70312
3"	13.87	7.87	3.74	18.79	6.75	10.06	EW-880	18	302	70302	70313
4"	16.12	9.12	4.49	19.53	6.75	10.06	EW-880	18	600	70303	70314
5"	18.25	10.25	5.00	20.05	6.75	10.06	EW-880	18	1022	70304	70315
6"	19.25	10.75	5.47	21.98	9.00	13.31	EW-1400	22	1579	70305	70316
8"	22.50	12.50	6.89	25.55	11.12	13.94	EW-3100	26	3136	70306	70317
10"	24.75	14.25	7.99	26.85	11.12	13.94	EW-4400	26	5340	70307	70318
12"	29.12	16.12	9.53	29.60	11.12	15.00	EW-7000	32	8250	70308	70319

Notes: Cv Through one valve at full open
 Standard motor features: Declutch Over-ride, two auxiliary SPDT limit switches
 Heater, Thermostat. 120VAC Reversing Motor.
 Optional: 4-20ma high resolution modulating board.
 12 and 24VDC, 24VAC and 220VAC available.

TECHNICAL SPECIFICATIONS	
General	IRON BUTTERFLY VALVE
Body	Ductile Iron
Disc / Stem	316SS/ 17-4SS
Seat	EPDM/ BUNA N
Maximum Pressure	Valve 225 PSIG

Triad Process Equipment 4922 Technical Dr. Milford, MI 48381
 248.685.9938 www.triadprocess.com
 Copyright 2005, Triad Process Equipment
 Triad and Triad Process Equipment are registered trademarks.
 We reserve the right to make technical and or dimensional changes without prior notice.