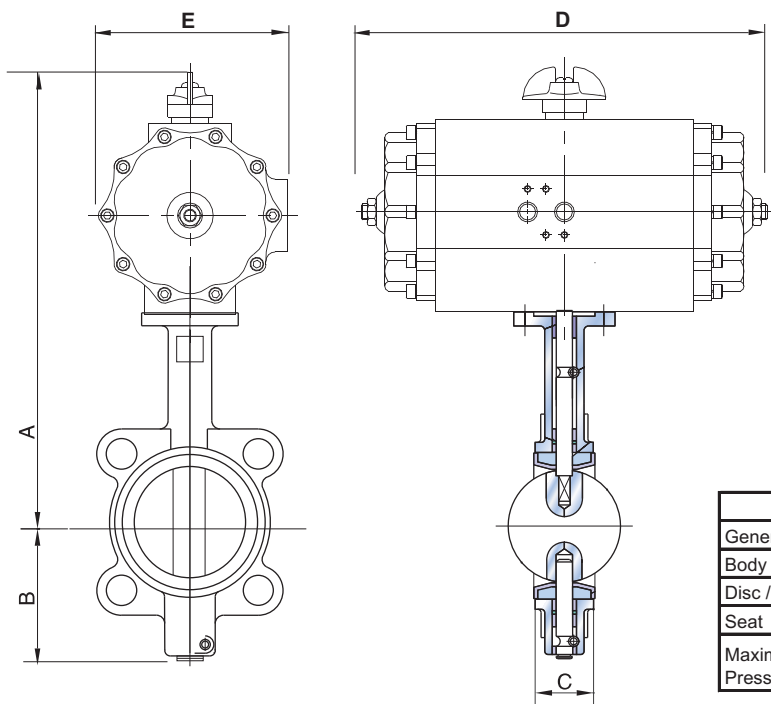




## AUTOMATED VALVE ASSEMBLY

### SERIES 700

### PNEUMATIC WAFER BUTTERFLY VALVE SPRING RETURN ELASTOMER SEATS



| TECHNICAL SPECIFICATIONS |                      |          |
|--------------------------|----------------------|----------|
| General                  | IRON BUTTERFLY VALVE |          |
| Body                     | Ductile Iron         |          |
| Disc / Stem              | 316SS/ 17-4SS        |          |
| Seat                     | EPDM / BUNA          |          |
| Maximum Pressure         | Valve                | Actuator |
|                          | 225 PSIG             | 120 psig |

**Actuator sized for 80 psig air supply. Valve sized for 150 psig line pressure, 100 psig for 14" and 16"**

| SIZE   | A     | B     | C    | D     | E     | ACTUATOR  | Cv    | Wt.(lbs) | Assembly # |        |
|--------|-------|-------|------|-------|-------|-----------|-------|----------|------------|--------|
|        |       |       |      |       |       |           |       |          | EPDM       | Buna N |
| 2"     | 11.58 | 3.15  | 1.75 | 8.43  | 4.37  | AS-008-16 | 135   | 13.00    | 71045      | 71056  |
| 2 1/2" | 12.13 | 3.50  | 1.87 | 8.43  | 4.37  | AS-008-16 | 220   | 14.55    | 71046      | 71057  |
| 3"     | 12.37 | 3.74  | 1.87 | 8.43  | 4.37  | AS-008-16 | 302   | 15.43    | 71047      | 71058  |
| 4"     | 13.81 | 4.49  | 2.13 | 9.41  | 5.24  | AS-012-16 | 600   | 20.70    | 71048      | 71059  |
| 5"     | 14.33 | 5.00  | 2.25 | 11.22 | 5.24  | AS-020-16 | 1022  | 28.63    | 71049      | 71060  |
| 6"     | 16.73 | 5.47  | 2.25 | 13.39 | 6.65  | AS-040-16 | 1579  | 49.10    | 71050      | 71061  |
| 8"     | 18.07 | 6.89  | 2.50 | 13.39 | 6.65  | AS-040-20 | 3136  | 52.31    | 71051      | 71062  |
| 10"    | 21.90 | 7.99  | 2.75 | 16.73 | 8.27  | AS-100-20 | 5340  | 83.05    | 71052      | 71063  |
| 12"*   | 28.10 | 9.53  | 3.12 | 21.14 | 9.13  | AS-200-20 | 8250  | 159.65   | 71053      | 71064  |
| 14"*   | 31.85 | 10.52 | 3.12 | 18.11 | 12.01 | AS-250-40 | 11917 | 243.80   | 71054      | 71065  |
| 16"*   | 33.15 | 12.17 | 3.41 | 26.38 | 12.01 | AS-370-20 | 16388 | 307.60   | 71055      | 71066  |

**Actuator sized for 60 psig air supply. Valve sized for 150 psig line pressure, 100 psig for 14" and 16"**

| SIZE   | A     | B     | C    | D     | E     | ACTUATOR  | Cv    | Wt.(lbs) | Assembly # |        |
|--------|-------|-------|------|-------|-------|-----------|-------|----------|------------|--------|
|        |       |       |      |       |       |           |       |          | EPDM       | Buna N |
| 2"     | 11.58 | 3.15  | 1.75 | 8.43  | 4.37  | AS-008-12 | 135   | 13.00    | 71067      | 71078  |
| 2 1/2" | 12.13 | 3.50  | 1.87 | 8.43  | 4.37  | AS-008-12 | 220   | 14.55    | 71068      | 71079  |
| 3"     | 12.37 | 3.74  | 1.87 | 8.43  | 4.37  | AS-008-12 | 302   | 15.43    | 71069      | 71080  |
| 4"     | 13.81 | 4.49  | 2.13 | 11.22 | 5.24  | AS-020-12 | 600   | 24.00    | 71070      | 71081  |
| 5"     | 15.83 | 5.00  | 2.25 | 10.91 | 6.65  | AS-030-12 | 1022  | 33.03    | 71071      | 71082  |
| 6"     | 17.96 | 5.47  | 2.25 | 14.72 | 7.68  | AS-060-16 | 1579  | 49.10    | 71072      | 71083  |
| 8"     | 19.93 | 6.89  | 2.50 | 16.73 | 8.27  | AS-100-16 | 3136  | 86.30    | 71073      | 71084  |
| 10"    | 21.54 | 7.99  | 2.75 | 17.52 | 9.13  | AS-140-20 | 5340  | 102.33   | 71074      | 71085  |
| 12"*   | 30.66 | 9.53  | 3.12 | 18.11 | 12.01 | AS-250-34 | 8250  | 192.85   | 71075      | 71086  |
| 14"*   | 31.85 | 10.52 | 3.12 | 26.38 | 12.01 | AS-370-16 | 11917 | 264.25   | 71076      | 71087  |
| 16"*   | 33.15 | 12.17 | 3.41 | 26.38 | 12.01 | AS-370-16 | 16388 | 309.40   | 71077      | 71088  |